

CI/SfB		n6
CAW P22		
Uniclass L6751:P7112		

Description

TP300 is an open cell polyurethane foam tape, impregnated with a bitumen free acrylic resin, with the main functions of a weather and acoustic seal and backing for sealant joints where the tape will act as a secondary seal.

Colour

Grey

Packaging & Sizes (See Fig. 1)

Joint Size Tape Thickness (a) mm	Joint Depth* Tape Width (b) mm	Tape Order Reference	Roll Length m
3 - 7	10	10/4	13
5 - 10	15	15/8	5.5

*For use as a joint backer, TP300 needs to be set back into the joint to suit the depth of sealant to be applied.

Technical Information

Characteristic	Standard	Value
Density	NF EN ISO 845	55±5 kg/m ³
Elongation at Break	DIN 53571	115%
Resistance to Traction	DIN 53571	110 KPa
Weather Tightness	EN 1027	300 Pa
Air Permeability	NF P 85-570	Class 2
Thermal Conductivity	DIN EN 12667	$\lambda = 0.048$ W/m.K
Water Vapour Permeability (sd value)		< 0.5 m
Acoustic Performance		56 dB
Service Temperature		-30°C to +90°C
Minimum Application Temperature		0°C
Storage		Store in shaded dry conditions with rolls laid flat
Shelf Life		12 months when stored as recommended in original unopened packaging

Necessary Tools

- Tape measure, flat blade, cutting shears

Preparation

- Ensure the faces of the joint are free from debris, loose material and parallel.

Application

- After measuring the width of the joint and potential movement, choose the appropriate size of TP300. Cut off the first and last 20 mm of the roll to avoid the wedge shaped sections of tape.



TP300

Joint Backer Plus

Usage / Purpose

TP300 is designed as a special joint backing foam, providing a secondary weather seal in a weatherproof joint. It is suitable for use in various joint types (e.g. masonry and light and heavy-weight prefabricated components). TP300 is also available in other dimensions to enhance the acoustic performance of curtain wall fabrications. For these applications please check the specific requirements with your systems supplier.

Key Benefits

- Weathertight to 300 Pa
- Self-adhesive to one face
- Vapour permeable
- Provides thermal and acoustic insulation
- Solvent free

Joint Backer Plus

- Allow an extra 10 mm/m of joint length to allow for potential shrinkage. The tape will expand at a faster rate in higher temperatures and a slower rate at lower temperatures. Weathertightness is not assured until the tape has recovered fully within the joint.

Please Note

TP300 is impregnated with an acrylic resin which is compatible with most traditional construction materials including concrete, masonry, aluminium, wood, glass, PVC-U, etc. If using TP300 as a joint backer, it is compatible with typical sealants (e.g. silicone, hybrids, PU and acrylic). It is recommended, however, to test specific materials for compatibility such as treated wood, paint, solvent based sealants, bitumen or plastic.

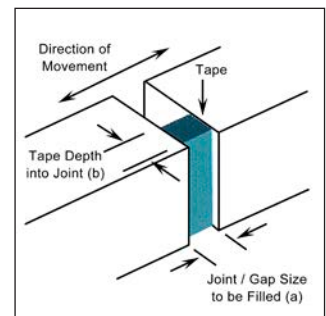


Fig. 1 Tape Selection
(a) = tape thickness; (b) = tape width
e.g. 15/8- 15; 15 (b) /8- 15 (a)

Technical Service

tremco illbruck has a team of experienced Technical Sales Representatives who provide assistance in the selection and specification of products. For more detailed information, service and advice, please call Customer Services on 01942 251400.

Guarantee / Warranty

tremco illbruck products are manufactured to rigid standards of quality. Any product which has been applied (a) in accordance with tremco

illbruck written instructions and (b) in any application recommended by tremco illbruck, but which is proved to be defective, will be replaced free of charge.

No liability can be accepted for the information provided in this leaflet although it is published in good faith and believed to be correct. tremco illbruck Limited reserves the right to alter product specifications without prior notice, in line with Company policy of continuous development and improvement.



tremco illbruck Limited
Coupland Road, Hindley Green
Wigan WN2 4HT
United Kingdom
T: +44 1942 251400
F: +44 1942 251410

sales.uk@tremco-illbruck.com
www.tremco-illbruck.co.uk